



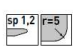
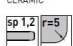





ELLISSE

design R&D VARASCHIN

Tables with aluminum structure, powder coated, Hpl or ceramic top. Legs also available in plantation certified teak. Available in height H74 + top or in the LOW version H66 + top to be used with lounge chairs.

 <p>Tavolo fisso Fixed table</p> 	<p>GAMBE LEGS</p> 	<p>TELAIO FRAME</p> 	<p>TOP TOP</p> <p>HPL HPL</p>  <p>CERAMICA BOCCIARDATA BUSH-HAMMERED CERAMIC</p> 		<p>Istruzioni d'uso using instruction</p> <p>12401 12401C</p>
	<p>cover</p> <p>9435C 9435C</p>	<p>Kit movimentazione tavolo Table handling kit</p> <p>3899K2 3899K2</p>			
	<p>2403 200x100</p> <p>2406 200(300)x100</p>	<p>2401 220x120</p> <p>2404 240x100</p> <p>2405 260x100</p> <p>2402 280x120</p>	<p>9435C 9435C</p> <p>9436C 9436C</p> <p>9436C 9436C</p> <p>9465C</p>	<p>3899K2 3899K2</p> <p>3899K2 3899K2</p> <p>3899K2 3899K2</p> <p>3899K2</p>	

STRUCTURAL COMPONENTS

TABLES WITH ALUMINUM STRUCTURE, POWDER COATED, HPL OR CERAMIC TOP. LEGS ALSO AVAILABLE IN PLANTATION CERTIFIED TEAK.

CHARACTERISTICS OF THE MATERIALS

CHARACTERISTICS OF THE MATERIALS AND FABRICS ARE DESCRIBED IN THE WEBSITE www.varaschin.it FOLDER "MATERIALS" AND YOU CAN DOWNLOAD FROM FOLDER "DOWNLOAND-MATERIALS".

INSTRUCTIONS FOR USING THE PRODUCT PROPERLY AND SAFELY

VARASCHIN IS NOT LIABLE FOR DAMAGE CAUSED BY IMPROPER USE. THE SAME APPLIES TO DAMAGE DERIVING FROM USE IN EXTREME WEATHER CONDITIONS OR LACK OF CARE. TIPS FOR EXTENDING LONGEVITY OF COMPONENTS: DURING THE WINTER STORE IN A DRY AND CLOSED PLACE TO AVOID CONDENSATION . DO NOT STEP ON WITH FEET. DO NOT SWING BACK AND FORTH ON THE LEGS. DO NOT SIT. DO NOT USE AS A LADDER. VARASCHIN IS NOT LIABLE FOR DAMAGE CAUSED BY IMPROPER USE. IF NECESSARY, PLEASE CONTACT VARASCHIN SPA. WOOD COLOUR CHANGES MAY OCCUR AFTER SOME TIME DUE TO EXPOSURE TO SUNLIGHT. THIS PRODUCT "FEARS" HEAT SOURCES AND TOO MUCH HUMIDITY, THEREFORE PAY ATTENTION WHERE YOU PLACE IT. HANDLING: THE TABLES MUST BE RAISED BY TAKING UP THE STRUCTURE AND NOT ON THE TOP. DIFFERENT PROCEDURES AS SUCH INDICATED MAY BE THE CAUSE OF BREAKINGS.

GENERAL INSTRUCTIONS FOR MAINTENANCE AND CLEANING

FOR DAILY CLEANING USE A DRY COTTON CLOTH. FOR MORE THOROUGH CLEANING USE ONLY A NEUTRAL PRODUCT DILUTED IN WARM WATER. NEVER USE ALCOHOL, AMMONIUM, THINNERS OR ABRASIVE PRODUCTS. IN MARINE ENVIRONMENTS ARTICLE SHOULD BE WEEKLY WHASED WITH FRESH WATER. FOR CLEANING AND TAKING CARE OF ALL MATERIALS AND FABRICS, SEE THE FOLDER "DOWNLOAD-MAINTENANCE" FROM OUR WEBSITE www.varaschin.it OR ASK FOR IT VIA E-MAIL AT customercare@varaschin.it

GENERAL INFORMATION

N.B.: VARASCHIN SPA GUARANTEES THAT THE PRODUCT IS MADE OF QUALITY MATERIALS, USING THE BEST TECHNOLOGIES IN THE TRADE. THE COMPANY DECLINES ALL AND ANY LIABILITY FOR DAMAGE TO PERSONS AND/OR THINGS DUE TO IMPROPER USE OF THE PRODUCT. IF IN DOUBT PLEASE CONTACT THE MANUFACTURER.

DISPOSAL

PLEASE DO NOT JUST THROW OUT THE PIECE OF FURNITURE OR ANY PART OF IT. AT THE END OF ITS USE, PROVIDE FOR THE RECYCLING OR DISPOSAL OF THE COMPONENTS IN THE APPROPRIATE AREAS.

FIRE-FIGHTING MEASURES

ALTHOUGH THE PRODUCT IS NOT INFLAMMABLE, IT IS COMBUSTIBLE. THERE ARE NO RESTRICTIONS ON THE TYPES OF EXTINGUISHERS: POWDER, WATER, FOAM OR CO2. USE SUITABLE PROTECTION TO AVOID BREATHING IN FUMES. DURING DISPOSAL TAKE SPECIAL CARE TO PROTECT THE RESPIRATORY SYSTEM.

PRODUCT WARRANTY

REFER TO ARTICLE 3 "PRODUCT WARRANTY" PUBLISHED ON SALES CONDITIONS, DOCUMENTS OF SALE, WEBSITE www.varaschin.it

TECHNICAL INFO SHEET: This product information sheet complies with Italian Legislative Decree No. 206 of 6 September 2005, "Consumer Code".

The information given above refers to the latest data published in the price list. The company reserves the right to alter the models without notice.

COMPANY WITH SYSTEM MANAGEMENT QUALITY CERTIFIED **UNI EN ISO 9001: 2015**